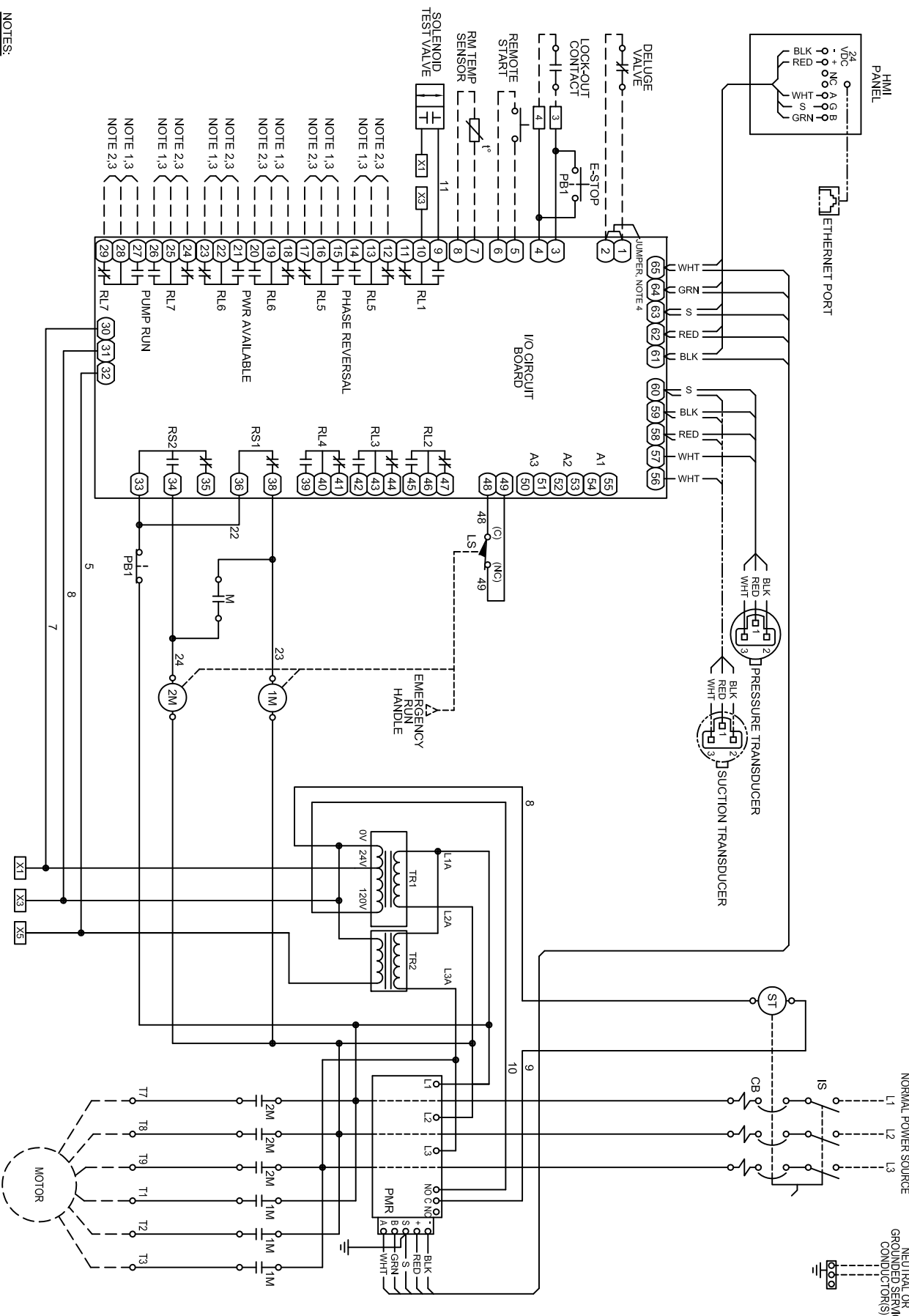


REVISIONS
NEW RELEASE PER ECN L00141
REV A: 05-24-10 REVERSE N.O. & N.C. CONTACTS OF RL1, TR2 & TR3 ADDED. ADD TEST SOLENOID TO RL1, ECN E00705, L&T

SUITABLE FOR USE AS SERVICE EQUIPMENT



- NOTES:
- 1 - NORMALLY OPEN, CLOSURES TO ALARM
 - 2 - NORMALLY CLOSED, OPENS TO ALARM
 - 3 - CONTACT RATING: 5 AMP MAX, 240 VAC, 30 VDC
 - 4 - REMOVE JUMPER WHEN DELUGE VALVE IN USE

- DRAWING LEGEND
- - - CUSTOMER SUPPLIED COMPONENT OR WIRING
 - CUSTOMER CONNECTION TERMINAL BLOCK
 - I/O CIRCUIT BOARD CONNECTION
 - (A) DEVICE TERMINATION AND DESIGNATION
 - - - OPTIONAL EQUIPMENT

TITLE BUL. 10670 FIRE PUMP CONTROLLERS.
 PART WINDING STARTING

MADE BY SDC APP'D DJD
 DATE 06/03/08

SCALE: 0/6

Joslyn Clark
 JOSLYN CLARK CONTROLS, LLC
 ELIZABETHTOWN, NC 28337 USA

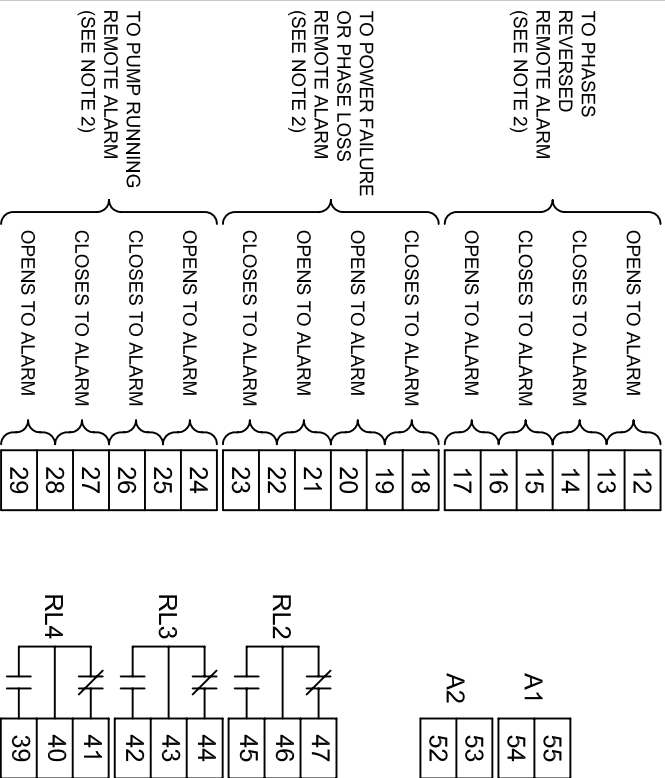
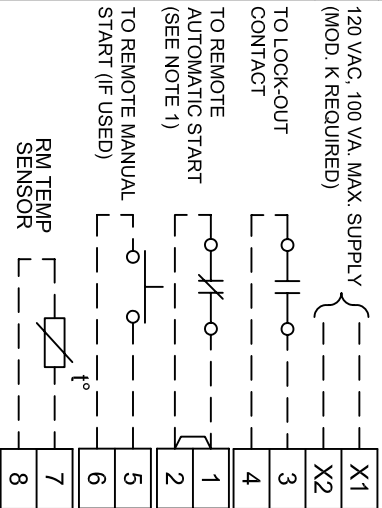
A 10-10670-1

SHEET 1 OF 1

DES. DWG. **E**
 REV. **A**

2-07901-01 A

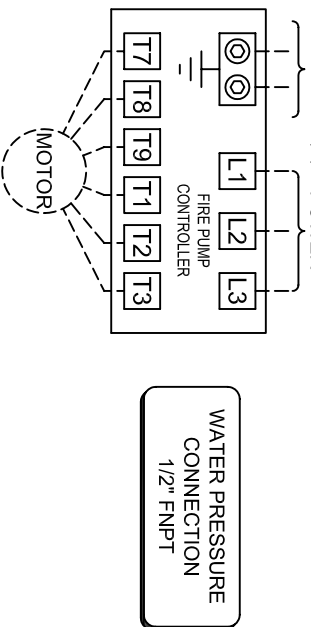
REVISIONS
 NEW RELEASE
 PER ECN L00141
 REV. A: G SERIES
 PRODUCT LAUNCH,
 PER ECN E00787



- NOTES:**
- REMOVE JUMPER IF A REMOTE AUTOMATIC START DEVICE IS USED. THE CONTACT ON THE DEVICE OPEN TO START THE PUMP.
 - ALARM CONTACT RATING: 5 AMP MAX, 240 VAC, 30 VDC.

SUITABLE FOR USE AS SERVICE EQUIPMENT

NEUTRAL OR GROUNDED SERVICE CONDUCTOR(S) NORMAL POWER



LINE TERMINAL LUG SIZE (PER PHASE)

HORSEPOWER		WIRE CAPACITY (COPPER WIRE)			
200V.	230V.	380V.	415V.	460V.	575V.
5 - 25	5 - 30	5 - 50	5 - 60	5 - 60	5 - 75
30	---	60	75	75	100
40 - 60	40 - 75	75 - 125	100 - 150	100 - 150	125 - 200
75 - 150	100 - 200	150 - 350	200 - 350	200 - 400	250 - 500
200	250	400	400-450	450 - 500	---
---	---	5	5	5	---
5 - 60	5 - 75	75 - 100	75 - 100	75 - 150	---
75 - 100	100 - 125	125 - 200	125 - 200	200 - 250	---

MOTOR TERMINAL LUG SIZE (PER PHASE)

G SERIES		F SERIES		C SERIES	
5 - 15	5 - 20	5 - 30	5 - 30	5 - 30	5 - 40
20 - 30	35 - 30	40 - 60	40 - 60	50 - 60	60 - 75
40 - 50	40 - 60	75 - 100	75 - 100	75 - 125	100 - 125
60 - 100	75 - 125	125 - 200	125 - 200	150 - 250	150 - 300
125 - 200	150 - 250	250 - 400	250 - 450	300 - 500	350 - 500
5 - 25	5 - 30	5 - 50	5 - 50	5 - 60	---
30 - 40	40 - 50	60 - 75	60 - 75	75 - 100	---
50 - 100	60 - 75	100 - 150	100 - 150	125 - 200	---
---	75 - 125	200	200	250	---

NEUTRAL OR GROUNDING CONDUCTORS

5 - 25	5 - 30	5 - 50	5 - 60	5 - 60	5 - 75	(2) #14 AWG - #1/0 AWG
30 - 60	40 - 75	60 - 125	75 - 150	75 - 150	100 - 200	(2) #6 AWG - 250 KCMIL
75 - 100	100 - 125	150 - 200	200 - 250	200 - 250	250 - 350	(2) #2 AWG - 600 KCMIL
125 - 200	150 - 250	250 - 400	300 - 450	300 - 500	400 - 500	(4) #6 AWG - 600 KCMIL

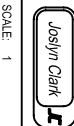
CONDUCTOR NOTES

- FOR PROPER WIRE SIZING, REFER TO THE NATIONAL ELECTRICAL CODE, NFPA 70 OR OTHER LOCAL CODES.
- CONTROLLER IS PHASE ROTATION SENSITIVE. OBSERVE PHASE ROTATION L1-L2-L3 MUST BE IN ABC SEQUENCE.
- THE LINE AND MOTOR TERMINALS WILL ACCOMMODATE, AS A MINIMUM, COPPER CABLES CAPABLE OF CARRYING 125% OF THE MOTOR FULL LOAD CURRENT.

TITLE BUL. 10670 FIRE PUMP CONTROLLERS,
 PART WINDING STARTING

MADE BY SDC
 DATE 05/30/08

APP'D DJD



JOSLYN CLARK CONTROLS, LLC
 ELIZABETHTOWN, NC USA 28337

SCALE: 1

FILE: 10670-2-6
A 10-10670-2

SHEET 1 OF 1

DESIGN: **G**
 REV: **A**